



RENAISSANCE
GENUINE SOLID BRONZE

ELEGANCE INSPIRES



Renaissance

GENUINE SOLID BRONZE



EXPLORE THE POSSIBILITIES

From the time we opened our doors in 2004 we have consistently pushed the limits on innovation & creativity.

It is this spirit of unbounded ingenuity coupled with carefully observing the needs of our customers that has allowed Renaissance GSB to expand and serve the variety of niches represented in this catalog.

Please join us in this journey - every project is a shout out to American craftsmanship and intuition.







TABLE OF CONTENTS

Wine Cellars	7
Revival Cellars	
Nexus Cellars	
Omnia Cellars	
Interior Glazing	24
Shower Doors	27
Windows & Doors	30
Entry Doors	
Window Walls	
Casement & Fixed	
Folding Doors	
Sliding Doors	
Product Details	52



RENAISSANCE
GENUINE SOLID BRONZE



WINE CELLARS

BEAUTY HAS VALUE

Renaissance Wine Cellar Enclosures bring the prestige of a wine cellar into the home.



Revival

Crafted to Captivate

Sleek lines and modern design coupled with thermal performance gives Revival a superior advantage in the market.



Nexus

Classic Sophistication

A full featured thermally broken line of standardized sizes allows for design flexibility with shorter lead times.



Omnia

Custom. Bespoke. Original.

Custom sizes & patterns make the Omnia series a fit for the most exclusive wine cellars.



REVIVAL

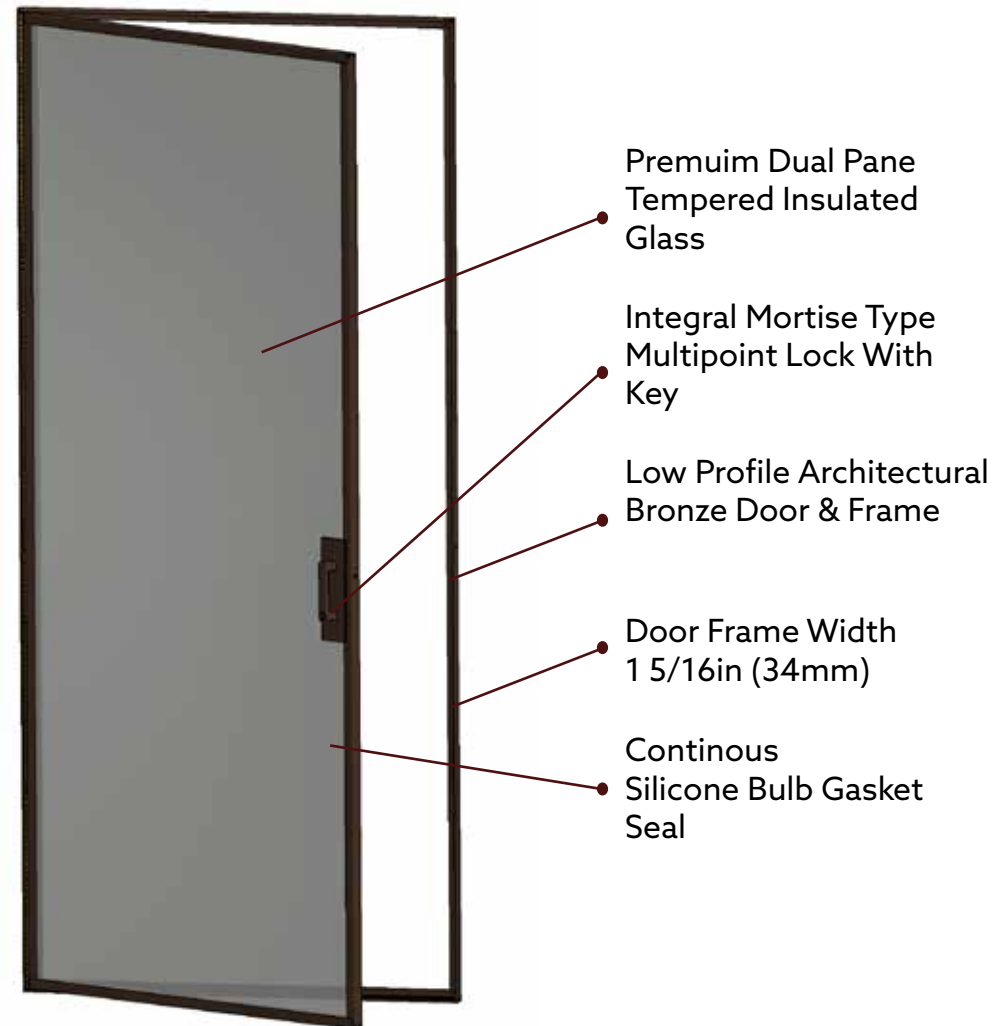
Revival defines intelligent craftsmanship, with a sleek contemporary design not compromising on features.

We believe that the performance of Revival wine doors make them a superior alternative to frameless glass (shower doors).

Choose clean crisp lines along with the premium protection needed for your wine cellar.

Key Features

- Solid Bronze System
- Dual Pane Insulated Glass
- Integral Multi Point Lock
- Hand Rubbed Patina Finishes
- Premium Silicone Bulb Seal
- Ultra Narrow Profiles

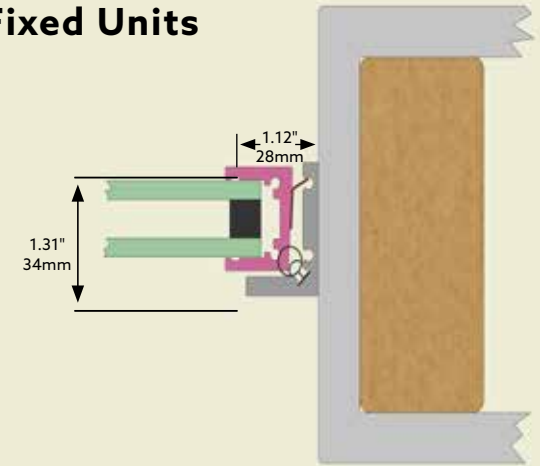




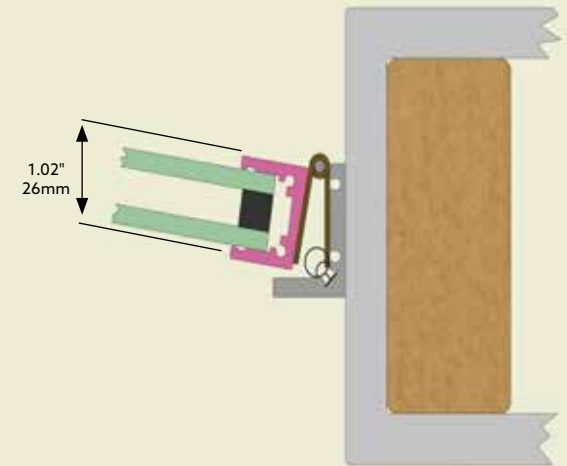


REVIVAL SECTIONS

Fixed Units



Doors





NEXUS



Nexus Wine Cellar Enclosures are the epidemic of elegance, with their classically styled solid bronze extrusions sporting exquisite architectural detail.

Built with our most popular features like thermally broken framing, insulated tempered glass, silicone bulb weather stripping and multipoint locks. Nexus has a broad range of standard sizes in 1 lite and 4 lite configurations which can be arranged to accommodate most wine cellar layouts.

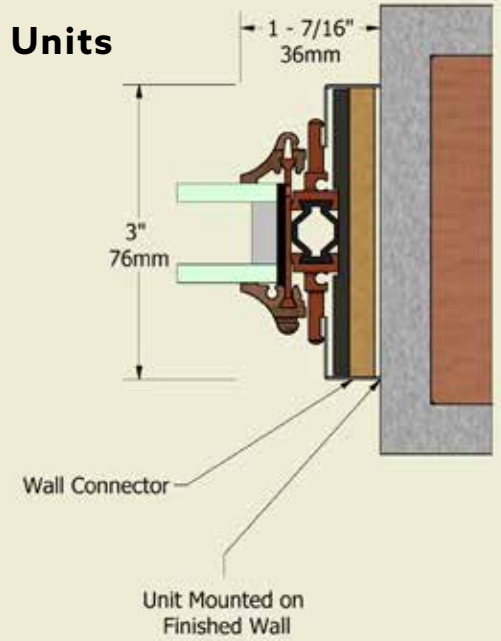
Download our product guide on our website for a full range of sizes available for your doors, sidelights and transoms.



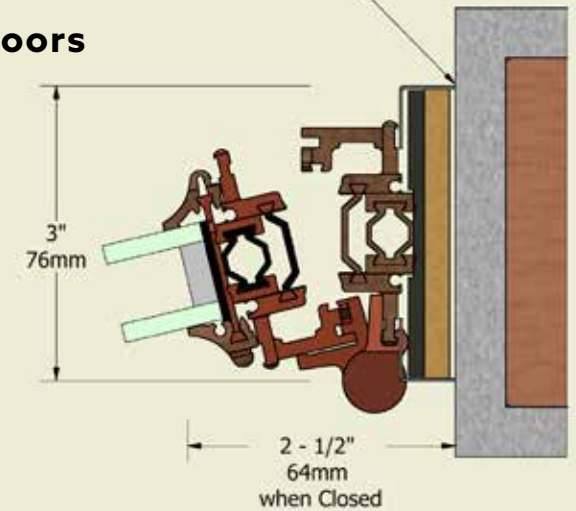


NEXUS SECTIONS

Fixed Units



Doors





OMNIA



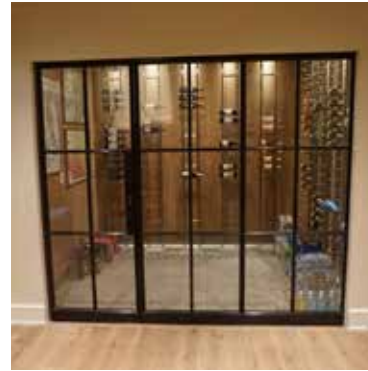
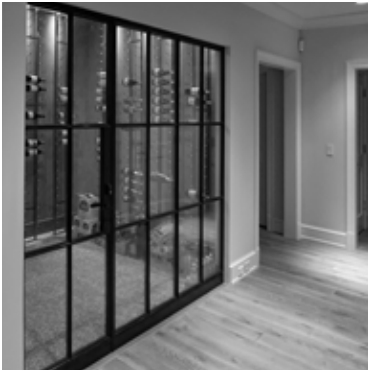
Omnia has no rival; it is crafted as a statement of originality with each project being a masterpiece.

Classic architectural styling and full features produces a showcase for your wine, while simultaneously protecting your collection. With the rules rewritten, take advantage of your high ceilings or the space under the stairs.

Start your custom configuration and begin to design your vision today.



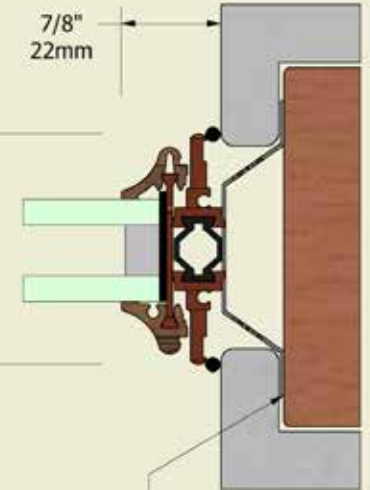
OMNIA SECTIONS



Fixed Units

7/8"
22mm

2 - 1/4"
57mm

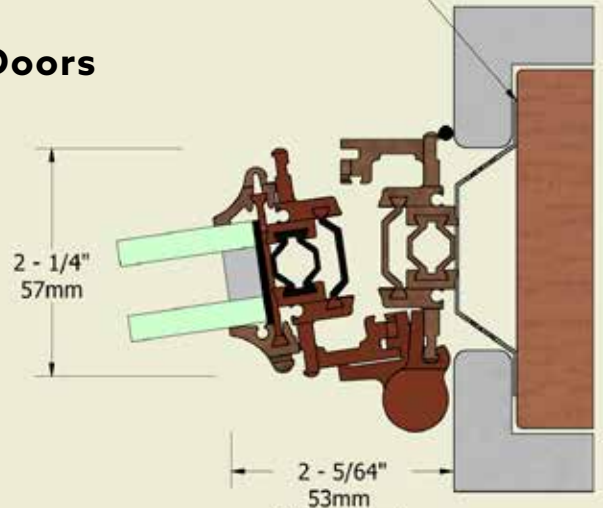


Unit Mounted on
Rough Opening

Doors

2 - 1/4"
57mm

2 - 5/64"
53mm
When Closed







BRONZE IS EXCLUSIVE

When we are commissioned for a project we know every detail matters and custom design takes on a whole new level.

From castings to specialty machining we have an array of resources at our disposal to create a generational masterpiece.





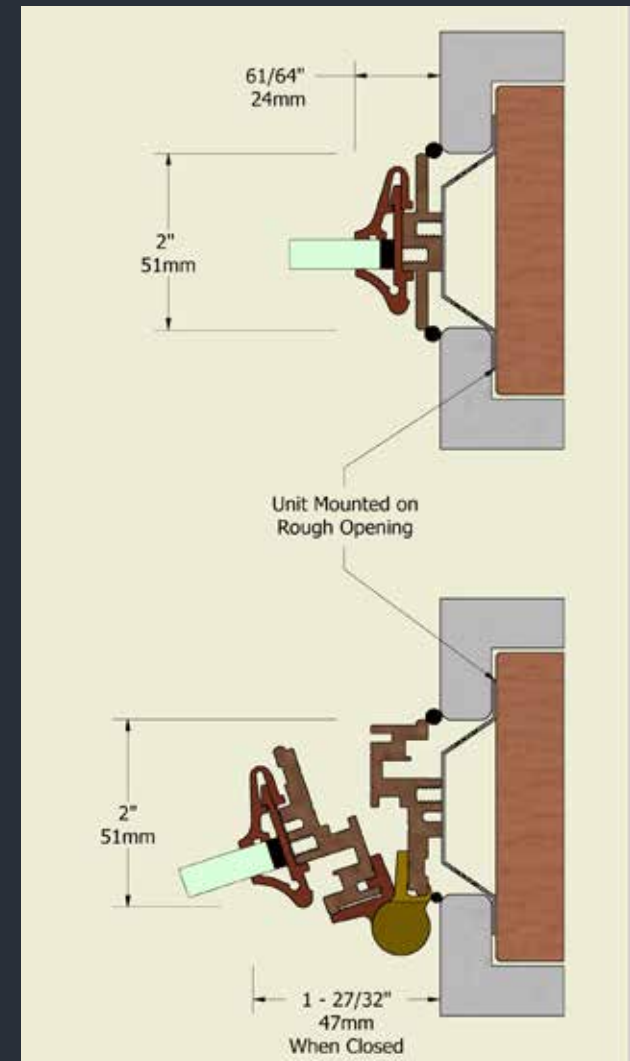


INTERIOR GLAZING

Bronze & Glass add prestige to an office suite.

In the C-Suite to a luxury estate there is nothing that speaks like the finishes of bronze.

From replacement doors to complete wall systems, we offer a range of products based on the application. Noise reduction, security and flexibility are a few of the things that will be considered as we craft your custom solution. Folding walls, sliding doors and operable transoms are all in our palette.







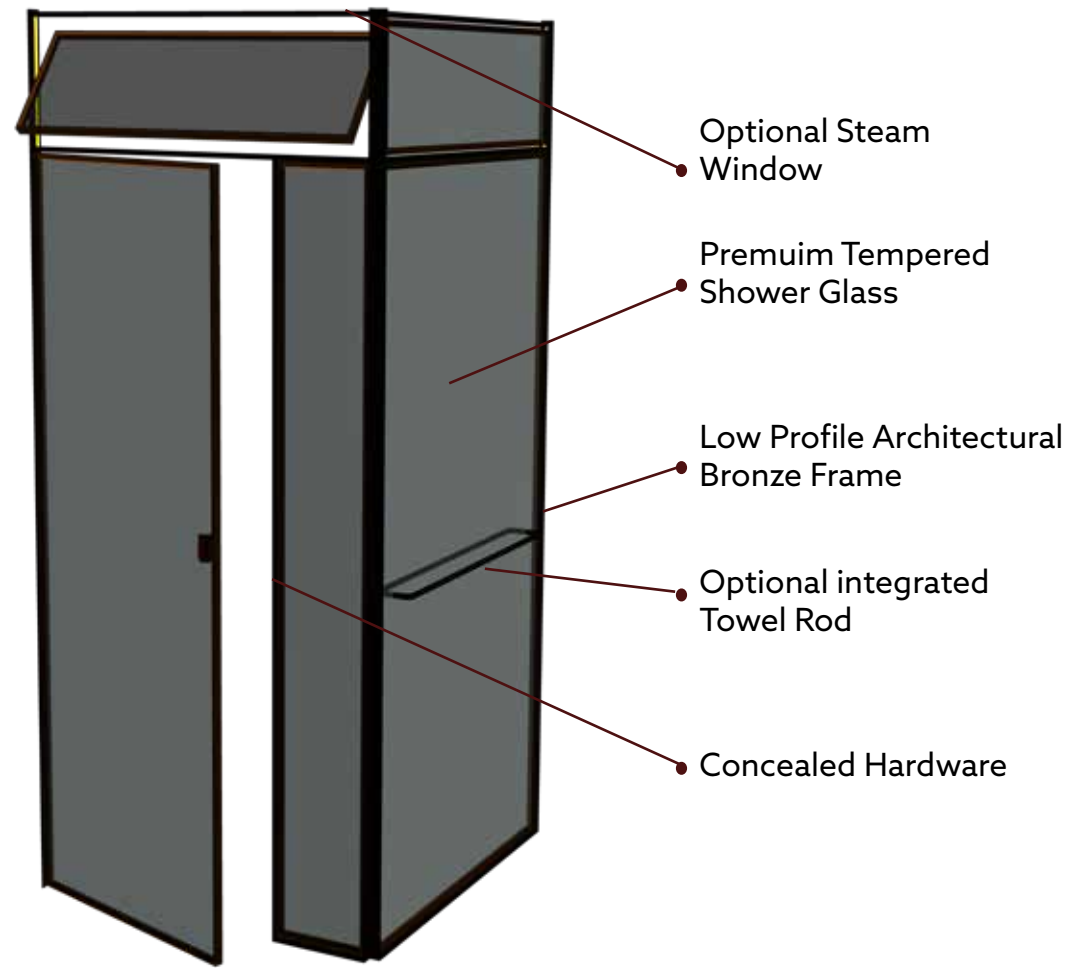
SHOWER DOORS

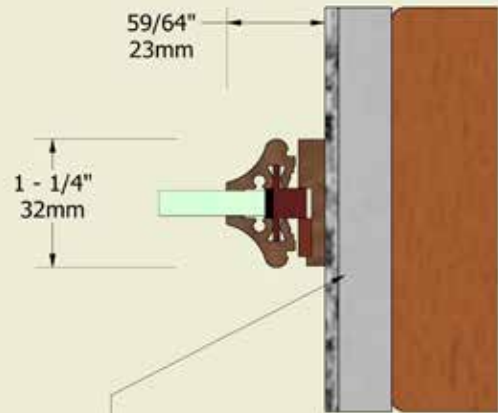
A perfect complement to your private space.

Genuine solid bronze bath enclosures make a statement of luxury. Renaissance has increased the useability of these enclosures by adding features like steam windows and concealed hardware.

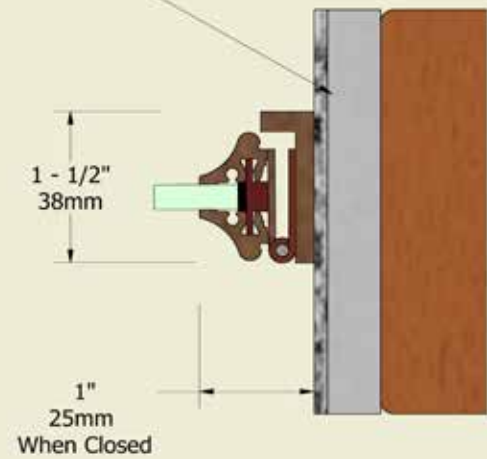
Crafted with an ultra-narrow bronze framework, this shower door system allows for complete customization, providing a fresh sophisticated look in your bathroom.

Outside corners are integral with the system and can be used to create a free standing 4-sided enclosure. All of our glass is supplied with a factory applied sealant to help reduce water spots.





Unit Mounted on
Finished Wall







Entry Doors

From simple to sophisticated, our entry doors are designed to portray your style.



Window Walls

Open a vista to the great outdoors and add to the ambiance of your home.

WINDOWS & DOORS



Casement & Fixed

A range of sizes and functions allows you to bring in natural light to every room.



Folding Doors

The best of it all; great views, easy egress and opening fully for the perfect weather days.



Sliding Doors

Large panel sizes and automation can transform glass walls into an extraordinary space.

An exclusive world of innovation and customization.



ENTRY DOORS



Entry doors set the tone with the opening statement to your home! Renaissance GSB has created a plethora of stunning grand entrances for a wide variety of architectural styles.

Let your imagination run a bit when considering geometrical glass configurations, bronze panels, etched glass and elegant hardware. We are happy to contribute to the process, please contact us with your ideas!





WINDOW WALLS

Window walls are an excellent way of natural daylighting and can be incorporated into a seamless glazing system when combined with swinging or folding doors.

Integral corners can be made from structural steel to allow for roof support and make for a breathtaking panoramic view. As a rule of thumb wall panels are shipped with glass installed in sections up to 50 square feet, which are then mullioned together by the installer.







CASEMENT & FIXED WINDOWS

Commonly referred to as punched openings, these windows have many uses and are what most people would visualize when referring to a window.

Kitchen sinks, powder rooms, bedrooms and offices are common places for our push out casements and fixed windows. They can be mulled together or directly adjoined to a door.







FOLDING DOORS

A Folding door unit is one of our favorite ways of transforming a living space.

Especially in relatively small areas, a folding unit can have a compound effect – first, it is a wonderful way of daylighting the space making the room more connected to nature even when the door is closed, and then the magic really happens when the unit is opened!

When designing your space think in terms of 39" wide panels or less and try to configure it with an operable door in addition to the folding pairs.











SLIDING DOORS

Our thermally broken bronze sliding doors represent the lap of luxury. Units can be paired up with power operation to form a stunningly impressive display at your next gathering.

Sliding doors are completely custom built and can be configured as bi-parting or single slide, stacked onto a stationary panel or into a pocket.

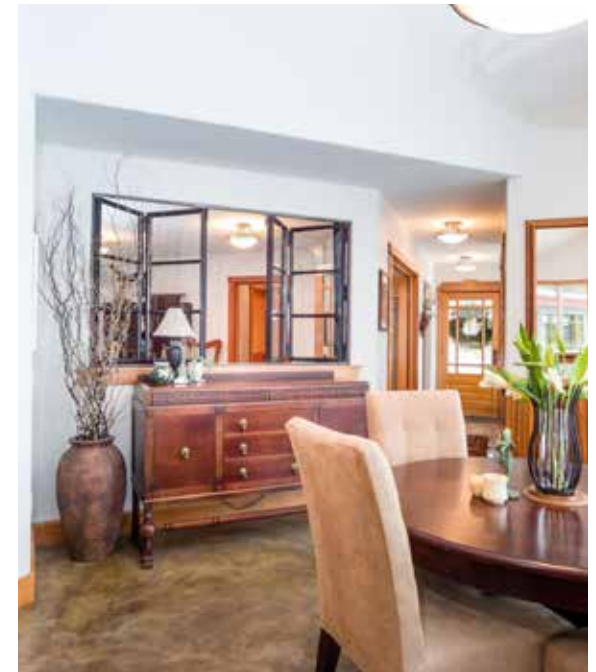




SPECIALTY PROJECTS

We have been commissioned on projects ranging from chimney caps to glass floors to turn style doors.

If you have a special requirement for a product made from bronze or copper, contact us and we will be happy to contribute our insight and experience.











WHY CHOOSE BRONZE?

MATERIAL COMPARISON CHART

	RGSB Extruded Bronze	Wood & Wood Clad	Hot Rolled Steel	Luxury Aluminum
Salt Water & Corrosion Resistance	Excellent	Fair	Poor	Good
Broad Range of Finish Options	Hand rubbed patinas, powder coating and plating	Painted or stained	Painted	Anodized or Painted
High Strength & Narrow Sightlines	Yes	No	Yes	No
Eco Friendly	90% Recycled	Mixed Materials with Short Lifespan	Hot Dip Galvanizing Process is Detrimental	Recyclable

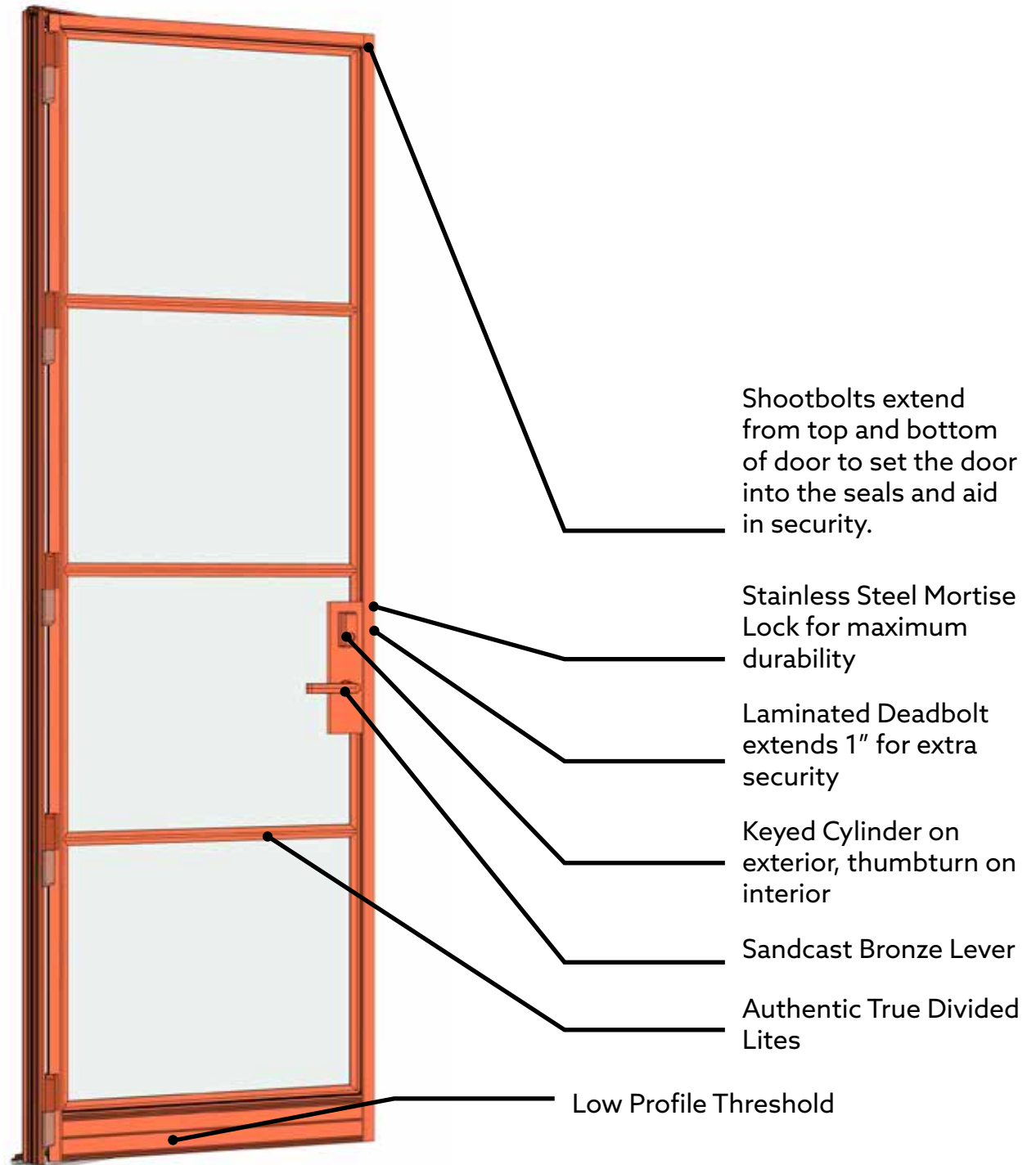
Bronze is the best material for doors and windows. Antimicrobial, hypoallergic and environmentally friendly, bronze is a noble metal for the ages. Historically, solid bronze windows have been exceptionally expensive.

Renaissance GSB has developed patented products that increase production efficiency and make our products more cost effective. Contact us to learn more how you can use the best material in your home.

THERMAL FEATURES

Thermally Broken Features

Solid Bronze Construction Thermally Broken Design Dual Pane Insulated Glass
Integral Multipoint Locks Premium Silicone Bulb Seal Ultra Narrow Profiles Hand Rubbed Patina Finish

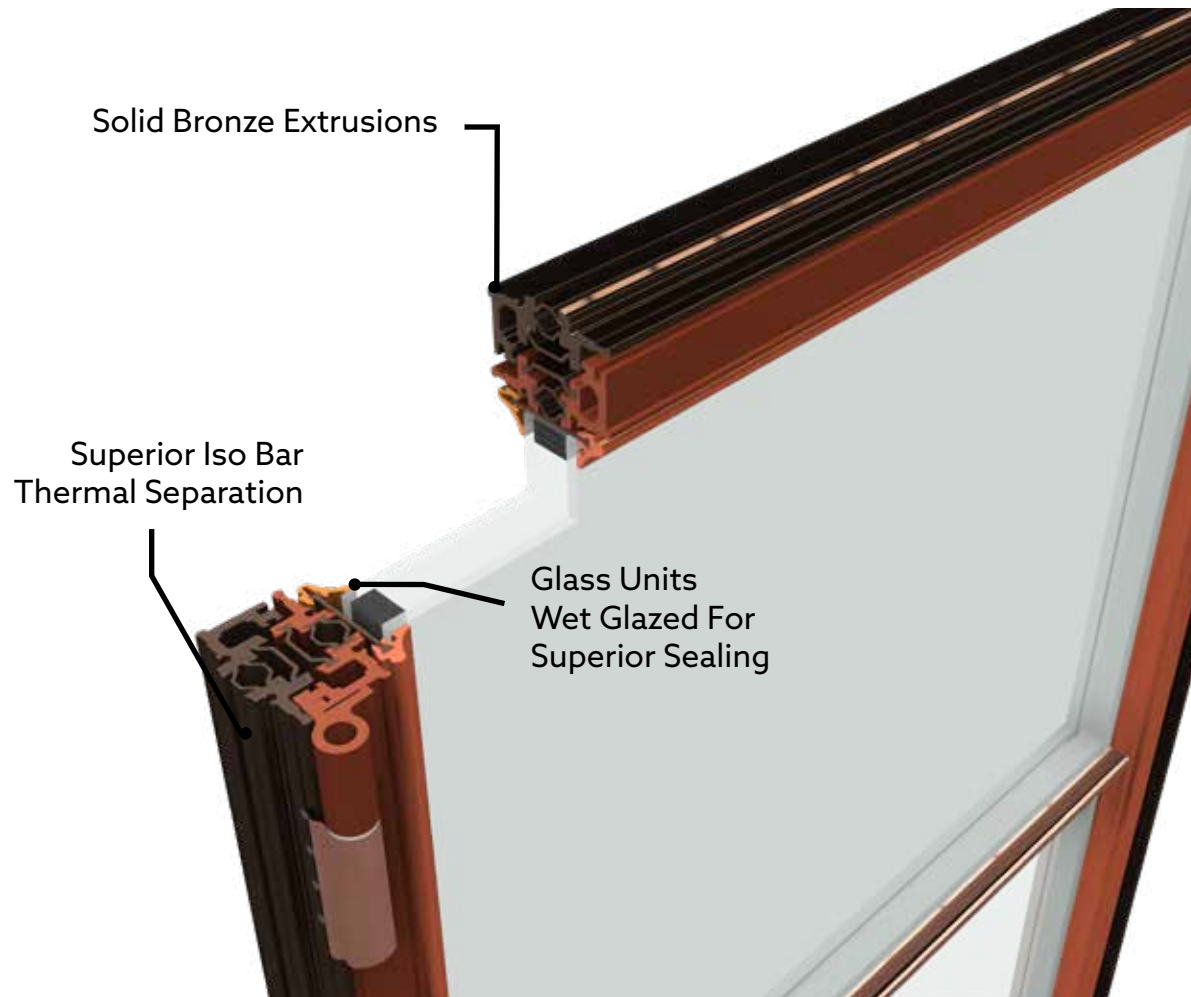


THERMALLY BROKEN FRAME

RGSB offers the world's most advanced thermally separated bronze frame.

Our exclusive bronze extrusions are crafted together with high performance ISO bars, the global standard in thermal break materials. Structural silicone is used to set the glass units for superior performance.

* Items Produced Under
US Patent Number 8.955.270



THERMAL FUNCTIONALITY BUILT IN

PRODUCT COLORS



Dark Charcoal



Chestnut



Natural Unbrushed



Natural Brushed

BEAUTIFUL PATINA FINISHES

Select from our four beautiful patina finishes. Please request actual color samples before product selection.

Revival

Revival is available in dark charcoal or natural brushed. (See photo in Revival gallery).

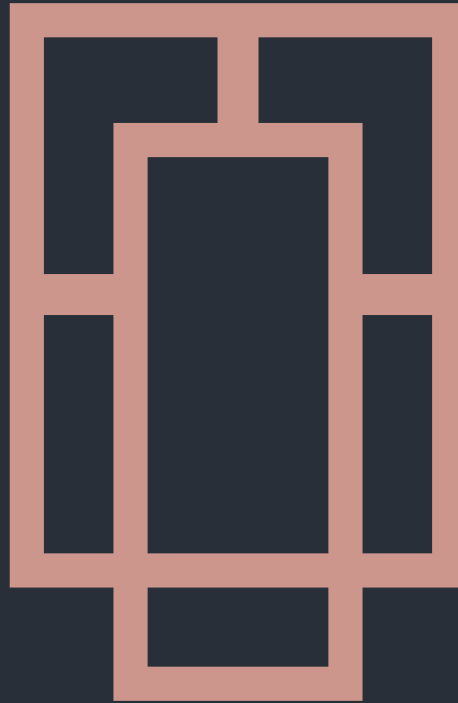
Nexus

Standard Nexus is available in Dark Charcoal.

Frame Sizes & Glass Types

	RB Series	TB Series	AF Series	SD Series
	Non thermal	Thermally Broken	Angle Frame	Shower Door
Frame Depth	2" (51mm)	2 1/4" (57mm)	1 1/4" (32mm)	1 1/2" (38mm)
Fixed Window Perimeter Frame Width	1" (25mm)	1 1/16" (27mm)		15/16" (24mm)
Door Sides & Head Frame Width	1 1/8" (47mm)	2 1/16" (52mm)	1 1/4" (32mm)	1 1/16" (27mm)
Door Bottom Rail Height	4 3/16" (105mm)	4 1/2" (115mm)	1 1/4" (32mm)	1 3/16" (30mm)
Active Window Perimeter Frame Width	1 13/16" (45mm)	2 1/16" (52mm)	1 1/4" (32mm)	1 3/8" (34mm)
TDL Muntin Bar Width	1/8" (24mm)	15/16" (24mm)		
<u>Standard Types</u>				
Clear Tempered	✓		✓	✓
Low Iron Tempered (Ultra Clear)	✓		✓	✓
Clear Laminated	✓	✓	✓	
Clear Insulated	✓	✓	✓	
Wine Safe Insulated (UV blocking)	✓	✓	✓	
Low Iron Insulated (Ultra Clear)	✓	✓	✓	
Cardinal 366 LowE Insulated	✓	✓		
Cardinal 366/Laminated Insulated (Storm Glass)	✓	✓		
<u>Available by Special Order</u>				
Pattern Glass	✓	✓	✓	✓
Radius Glass	✓	✓		
Turtle Glass	✓	✓		
Guardian Glass	✓	✓		
Hard Coat LowE	✓	✓	✓	

The broad range of projects that we have done has included an array of different custom glass options. The glazing pocket varies on different product types but we have been able to accommodate nearly every customer custom glass request. Listed in the chart are our most common glass types. If your project requires custom glass, please contact our sales department.



San Antonio, TX 78217
210 832 8040

© RGS Bronze • 2023

rgsbronze.com